





SCRSYRM	
SCRSYRM_SUBJ_CODE	VARCHAR2(4)
SCRSYRM_CRSE_NUMB	VARCHAR2(5)
SCRSYRM_TERM_CODE_EFF	VARCHAR2(6)
SCRSYRM_ACTIVITY_DATE	DATE
SCRSYRM_USER_ID	VARCHAR2(30)
SCRSYRM_TERM_CODE_END	VARCHAR2(6) null
SCRSYRM_REQUIRED_MATERIALS	CLOB null

SCBDESC	
SCBDESC_SUBJ_CODE	VARCHAR2(4)
SCBDESC_CRSE_NUMB	VARCHAR2(5)
SCBDESC_TERM_CODE_EFF	VARCHAR2(6)
SCBDESC_ACTIVITY_DATE	DATE
SCBDESC_USER_ID	VARCHAR2(30)
SCBDESC_TEXT_NARRATIVE	CLOB null
SCBDESC_TERM_CODE_END	VARCHAR2(6) null

SCRSYTR	
SCRSYTR_SUBJ_CODE	VARCHAR2(4)
SCRSYTR_CRSE_NUMB	VARCHAR2(5)
SCRSYTR_TERM_CODE_EFF	VARCHAR2(6)
SCRSYTR_ACTIVITY_DATE	DATE
SCRSYTR_USER_ID	VARCHAR2(30)
SCRSYTR_TERM_CODE_END	VARCHAR2(6) null
SCRSYTR_TECHNICAL_REQUIREME...	CLOB null

SCRCRDF	
SCRCRDF_SUBJ_CODE	VARCHAR2(4)
SCRCRDF_CRSE_NUMB	VARCHAR2(5)
SCRCRDF_TERM_CODE_EFF	VARCHAR2(6)
SCRCRDF_ACTIVITY_DATE	DATE
SCRCRDF_USER_ID	VARCHAR2(30)
SCRCRDF_RDEF_CODE	VARCHAR2(4) n...
SCRCRDF_RDEF_PREF_NUMBER	NUMBER(2) null

0,1
Rn
0,n



SCRSYLO	
SCRSYLO_SUBJ_CODE	VARCHAR2(4)
SCRSYLO_CRSE_NUMB	VARCHAR2(5)
SCRSYLO_TERM_CODE_EFF	VARCHAR2(6)
SCRSYLO_ACTIVITY_DATE	DATE
SCRSYLO_USER_ID	VARCHAR2(30)
SCRSYLO_TERM_CODE_END	VARCHAR2(6) null
SCRSYLO_LEARNING_OBJECTIV	CLOB null

STVRDEF	
STVRDEF_CODE	VARCHAR2(4)
STVRDEF_DESC	VARCHAR2(30) n...
STVRDEF_ACTIVITY_DATE	DATE
STVRDEF_SCHEDULER_NUMBER	NUMBER(2) null
STVRDEF_AUTO_SCHEDULER_IND	VARCHAR2(1)





STVTEC

<u>STVTEC_CODE</u>	<u>VARC</u>
STVTEC_DESC	VARC
STVTEC_NO_POSITIONS	NUM
STVTEC_DATA_TYPE	VARC
STVTEC_MIN_VALUE	VARC
STVTEC_MAX_VALUE	VARC
STVTEC_ACTIVITY_DATE	DATE
STVTEC_ADMR_CODE	VARC
STVTEC_SYSTEM_REQ_IND	VARC
STVTEC_MIS_CODE	VARC
STVTEC_ASSESSMENT_FO...	VARC
STVTEC_VR_MSG_NO	NUM

STVCOLL

<u>STVCOLL_CODE</u>	<u>VARC</u>
STVCOLL_DESC	VARC
STVCOLL_ADDR_STREET_LINE1	VARC
STVCOLL_ADDR_STREET_LINE2	VARC
STVCOLL_ADDR_STREET_LINE3	VARC
STVCOLL_ADDR_CITY	VARC
STVCOLL_ADDR_STATE	VARC
STVCOLL_ADDR_COUNTRY	VARC
STVCOLL_ADDR_ZIP_CODE	VARC
STVCOLL_ACTIVITY_DATE	DATE
STVCOLL_SYSTEM_REQ_IND	VARC
STVCOLL_VR_MSG_NO	NUM
STVCOLL_STATSCAN_CDE3	VARC

<u>CHAR2(4)</u>
CHAR2(30) null
BER(1)
CHAR2(1)
CHAR2(5) null
CHAR2(5) null
:
CHAR2(4) null
CHAR2(1) null
CHAR2(6) null
CHAR2(1) null
BER(6) null

<u>AR2(2)</u>
AR2(30)
AR2(30) null
AR2(30) null
AR2(30) null
AR2(20) null
AR2(2) null
AR2(28) null
AR2(10) null
AR2(1) null
R(6) null
AR2(6) null

SCRRTST	
<u>SCRRTST_SUBJ_CODE</u>	VARCHAR2(4)
<u>SCRRTST_CRSE_NUMB</u>	VARCHAR2(5)
<u>SCRRTST_TERM_CODE_EFF</u>	VARCHAR2(6)
SCRRTST_SEQNO	NUMBER(23,20) null
<u>SCRRTST_TESC_CODE</u>	VARCHAR2(4) null
SCRRTST_TEST_SCORE	VARCHAR2(5) null
<u>SCRRTST_SUBJ_CODE_PREQ</u>	VARCHAR2(4) null
<u>SCRRTST_CRSE_NUMB_PREQ</u>	VARCHAR2(5) null
<u>SCRRTST_LEVL_CODE</u>	VARCHAR2(2) null
SCRRTST_MIN_GRDE	VARCHAR2(6) null
SCRRTST_CONCURRENCY_I...	VARCHAR2(1) null
SCRRTST_CONNECTOR	VARCHAR2(1) null
SCRRTST_LPAREN	VARCHAR2(1) null
SCRRTST_RPAREN	VARCHAR2(1) null
<u>SCRRTST_ACTIVITY_DATE</u>	DATE

STVCLAS	
<u>STVCLAS_CODE</u>	VARCHAR2(2)
STVCLAS_DESC	VARCHAR2(30)
<u>STVCLAS_ACTIVITY_DATE</u>	DATE
<u>STVCLAS_EDI_EQUIV</u>	VARCHAR2(2) null
<u>STVCLAS_LMS_EQUIV</u>	VARCHAR2(3) null

SCRRLS	
<u>SCRRLS_SUBJ_CODE</u>	VARCHAR2(4)
<u>SCRRLS_CRSE_NUMB</u>	VARCHAR2(5)
<u>SCRRLS_EFF_TERM</u>	VARCHAR2(6)
SCRRLS_REC_TYPE	VARCHAR2(1)
<u>SCRRLS_CLASS_IND</u>	VARCHAR2(1) null
<u>SCRRLS_CLAS_CODE</u>	VARCHAR2(2) null
<u>SCRRLS_ACTIVITY_DA...</u>	DATE

SCRTRM	
<u>SCRTRM_SUBJ_CODE</u>	VARCHAR2(4)
<u>SCRTRM_CRSE_NUMB</u>	VARCHAR2(5)
<u>SCRTRM_EFF_TERM</u>	VARCHAR2(6)
SCRTRM_REC_TYPE	VARCHAR2(1)
<u>SCRTRM_TERM_IND</u>	VARCHAR2(1) null
<u>SCRTRM_RTRM_CODE</u>	VARCHAR2(2) null
<u>SCRTRM_ACTIVITY_DA...</u>	DATE

SCBCDTL	
<u>SCBCDTL_COLL_CODE</u>	VARCHAR2(2)
<u>SCBCDTL_TERM_CODE_EFF</u>	VARCHAR2(6)
<u>SCBCDTL_ACTIVITY_DATE</u>	DATE
<u>SCBCDTL_USER_ID</u>	VARCHAR2(30)

STVRTRM	
<u>STVRTRM_CODE</u>	VARCHAR2(2)



SCRSRDF

SCRSRDF_SUBJ_CODE	VARCHAR2(4)
SCRSRDF_TERM_CODE_EFF	VARCHAR2(6)
SCRSRDF_ACTIVITY_DATE	DATE
SCRSRDF_USER_ID	VARCHAR2(30)
SCRSRDF_RDEF_CODE	VARCHAR2(4) null
SCRSRDF_RDEF_PREF_NUMBER	NUMBER(2) null

Rn
0,1

SCRRCOL

SCRRCOL_SUBJ_CODE	VARCHAR2(4)
SCRRCOL_CRSE_NUMB	VARCHAR2(5)
SCRRCOL_EFF_TERM	VARCHAR2(6)
SCRRCOL_REC_TYPE	VARCHAR2(1)
SCRRCOL_COLL_IND	VARCHAR2(1) null
SCRRCOL_COLL_CODE	VARCHAR2(2) null
SCRRCOL_ACTIVITY_DA...	DATE

TBBDETC

TBBDETC_DETAIL_CODE	VARCHAR2(4)
TBBDETC_DESC	VARCHAR2(30)
TBBDETC_TYPE_IND	VARCHAR2(1)
TBBDETC_PRIORITY	VARCHAR2(3)
TBBDETC_LIKE_TERM_IND	VARCHAR2(1) null
TBBDETC_DCAT_CODE	VARCHAR2(3) null
TBBDETC_AMOUNT	NUMBER(7,2) null
TBBDETC_TERM_CODE	VARCHAR2(6) null
TBBDETC_EFFECTIVE_DATE	DATE null
TBBDETC_REFUNDABLE_IND	VARCHAR2(1) null
TBBDETC_RECEIPT_IND	VARCHAR2(1) null
TBBDETC_REFUND_IND	VARCHAR2(1) null
TBBDETC_ACTIVITY_DATE	DATE
TBBDETC_PAYT_CODE	VARCHAR2(1) null
TBBDETC_PREBILL_PRINT_IND	VARCHAR2(1) null
TBBDETC_GL_NOS_ENTERAB...	VARCHAR2(1) null
TBBDETC_TAXT_CODE	VARCHAR2(2) null
TBBDETC_TBDC_IND	VARCHAR2(1) null
TBBDETC_DETAIL_CODE_IND	VARCHAR2(1) null
TBBDETC_DETC_ACTIVE_IND	VARCHAR2(1)
TBBDETC_DIRD_IND	VARCHAR2(1)
TBBDETC_TIV_IND	VARCHAR2(1)
TBBDETC_INST_CHG_IND	VARCHAR2(1)
TBBDETC_LIKE_AIDY_IND	VARCHAR2(1)
TBBDETC_PAYHIST_IND	VARCHAR2(1)

Rn

1,1

STVFTYP

STVFTYP_CODE	VARCHAR2(4)
STVFTYP_DESC	VARCHAR2(30)
STVFTYP_SYS_REQ_IND	VARCHAR2(1)
STVFTYP_ACTIVITY_DATE	DATE
STVFTYP_USER_ID	VARCHAR2(30)

0,n

0,n

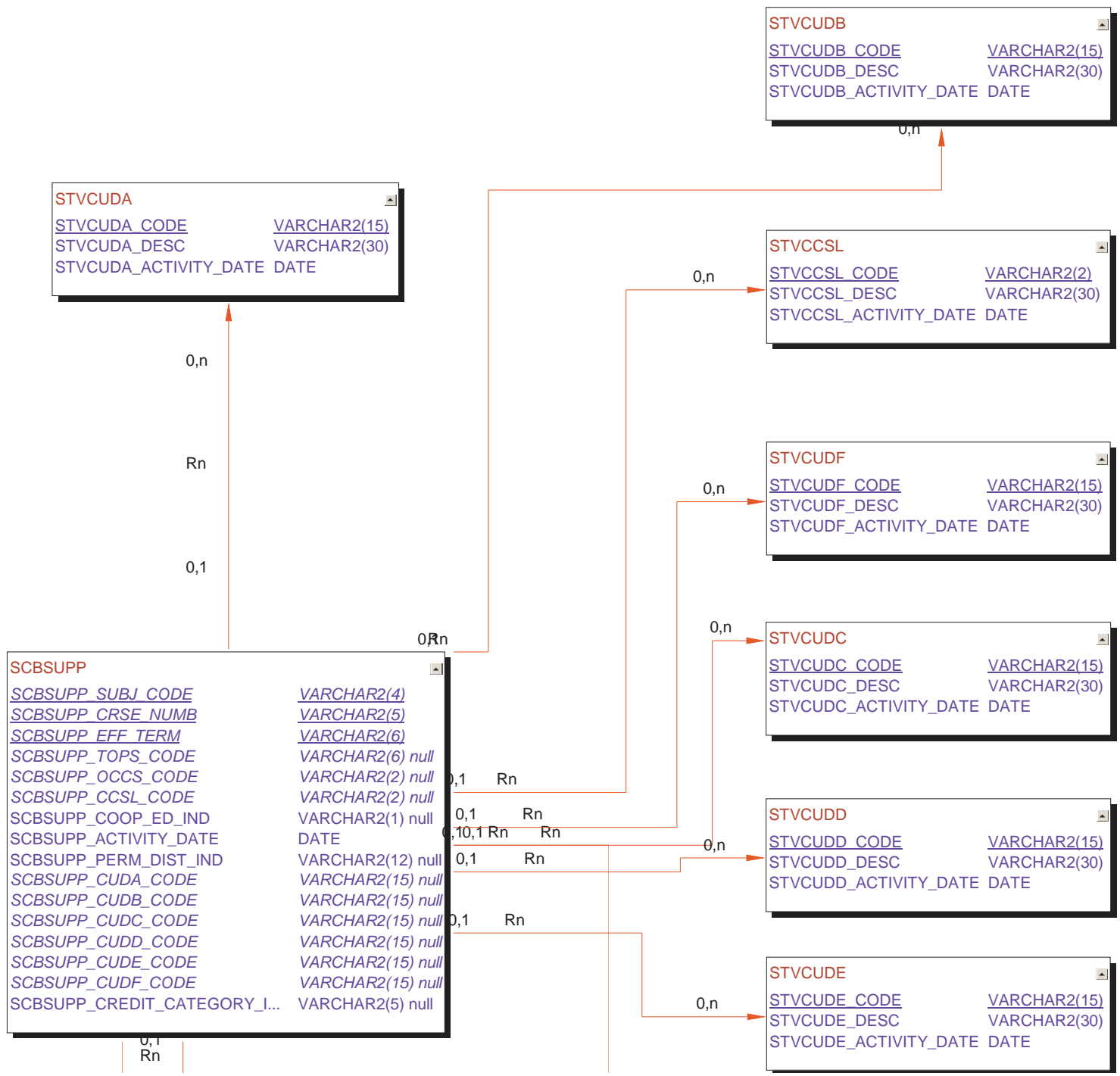
Rn

SCRFEES

SCRFEES_SUBJ_CODE	VARCHAR2(4)
SCRFEES_CRSE_NUMB	VARCHAR2(5)
SCRFEES_EFF_TERM	VARCHAR2(6)
SCRFEES_DETL_CODE	VARCHAR2(4) null
SCRFEES_FEE_IND	VARCHAR2(1) null

Rn
Rn
0,10,1





STV_COLL_DICD_CODE	VARCHAR
--------------------	---------

0,n
Rn
0,n
1,1

SCRCDTX	
SCRCDTX_COLL_CODE	VARCHAR
SCRCDTX_DEPT_CODE	VARCHAR
SCRCDTX_EFF_TERM	VARCHAR
SCRCDTX_SEQNO	NUMBER(2)
SCRCDTX_TEXT	VARCHAR
SCRCDTX_TEXT_CODE	VARCHAR
SCRCDTX_ACTIVITY_DA...	DATE

0,1
Rn

SCRRARE	
SCRRARE_SUBJ_CODE	VARCHAR
SCRRARE_CRSE_NUMB	VARCHAR
SCRRARE_TERM_CODE_EFFECTIVE	VARCHAR
SCRRARE_ACTIVITY_DATE	DATE
SCRRARE_SEQNO	NUMBER
SCRRARE_AREA	VARCHAR

0,1
Rn
0,n

SMRALIB	
SMRALIB_AREA	VARCHAR
SMRALIB_AREA_DESC	VARCHAR
SMRALIB_LEVL_CODE_STU	VARCHAR
SMRALIB_LEVL_CODE	VARCHAR
SMRALIB_DYNAMIC_IND	VARCHAR
SMRALIB_PRINT_IND	VARCHAR
SMRALIB_ACTIVITY_DATE	DATE
SMRALIB_COMPL_USAGE_IND	VARCHAR
SMRALIB_PREREQ_USAGE_I...	VARCHAR

<u>_SUBJ_CODE</u>	VARCHAR2(4)
<u>_CRSE_NUMB</u>	VARCHAR2(5)
<u>_EFF_TERM</u>	VARCHAR2(6)
<u>_REC_TYPE</u>	VARCHAR2(1)
<u>_LEVL_IND</u>	VARCHAR2(1) null
<u>_LEVL_CODE</u>	VARCHAR2(4) null
<u>_ACTIVITY_DA...</u>	DATE

<u>SUBJ_CODE</u>	VARCHAR2(4)
<u>CRSE_NUMB</u>	VARCHAR2(5)
<u>EFF_TERM</u>	VARCHAR2(6)
<u>SBGI_CODE</u>	VARCHAR2(6) null
<u>AGREEMENT_DA...</u>	DATE
<u>ACTIVITY_DATE</u>	DATE

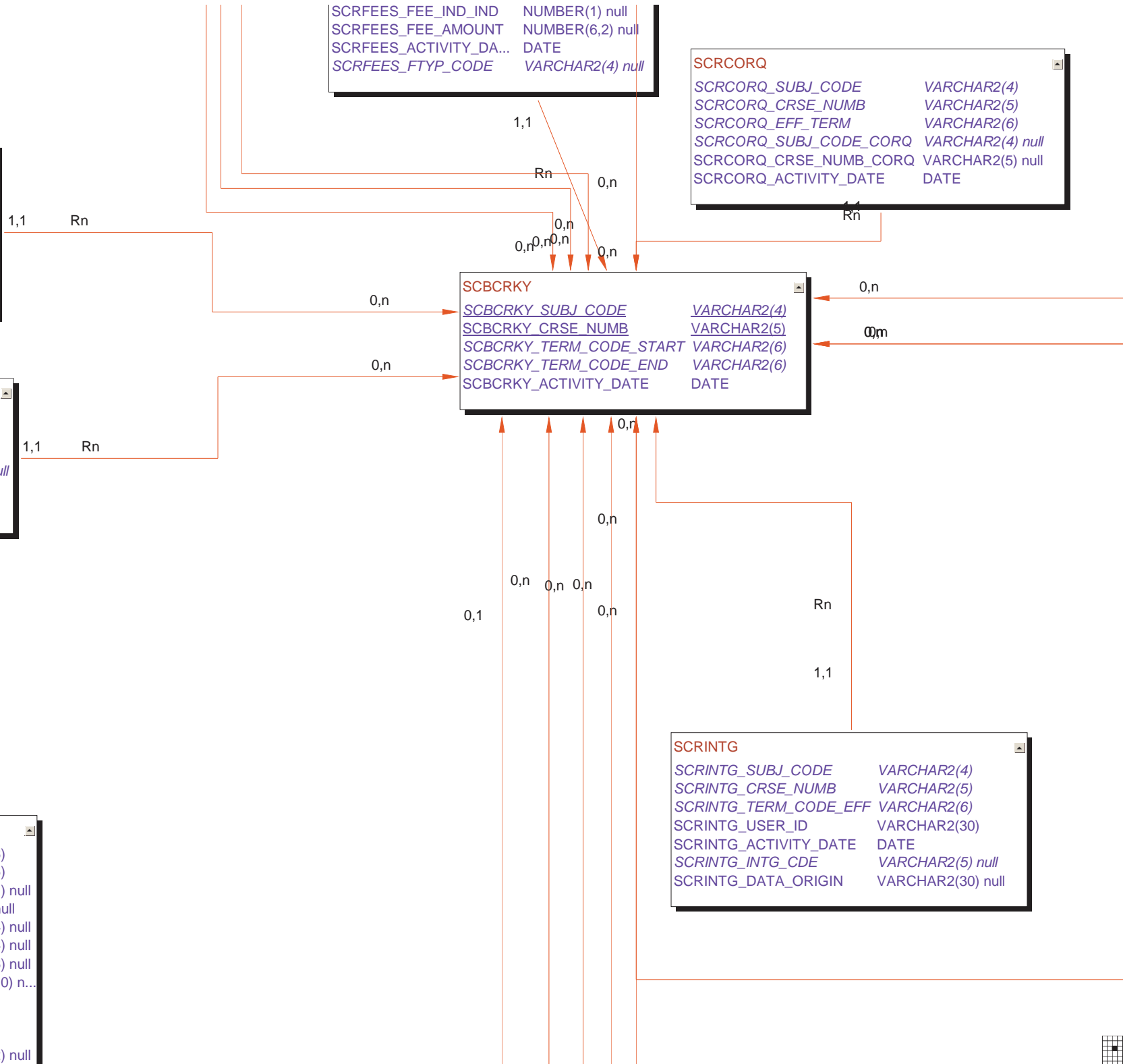
<u>ÆET</u>	
<u>ÆET_TERM_CODE</u>	VARCHAR2(6)
<u>ÆET_CRN</u>	VARCHAR2(5)
<u>ÆET_DAYS_CODE</u>	VARCHAR2(1) null
<u>ÆET_DAY_NUMBER</u>	NUMBER(1) null
<u>ÆET_BEGIN_TIME</u>	VARCHAR2(4) null
<u>ÆET_END_TIME</u>	VARCHAR2(4) null
<u>ÆET_BLDG_CODE</u>	VARCHAR2(6) null
<u>ÆET_ROOM_CODE</u>	VARCHAR2(10) n...
<u>ÆET_ACTIVITY_DATE</u>	DATE
<u>ÆET_START_DATE</u>	DATE
<u>ÆET_END_DATE</u>	DATE
<u>ÆET_CATAGORY</u>	VARCHAR2(2) null

<u>SCRFEES_FEE_IND_IND</u>	NUMBER(1) null
<u>SCRFEES_FEE_AMOUNT</u>	NUMBER(6,2) null
<u>SCRFEES_ACTIVITY_DA...</u>	DATE
<u>SCRFEES_FTyp_CODE</u>	VARCHAR2(4) null

<u>SCRRCORQ</u>	
<u>SCRRCORQ_SUBJ_CODE</u>	VARCHAR2(4)
<u>SCRRCORQ_CRSE_NUMB</u>	VARCHAR2(5)
<u>SCRRCORQ_EFF_TERM</u>	VARCHAR2(6)
<u>SCRRCORQ_SUBJ_CODE_CORQ</u>	VARCHAR2(4) null
<u>SCRRCORQ_CRSE_NUMB_CORQ</u>	VARCHAR2(5) null
<u>SCRRCORQ_ACTIVITY_DATE</u>	DATE

<u>SCBCRKY</u>	
<u>SCBCRKY SUBJ_CODE</u>	VARCHAR2(4)
<u>SCBCRKY CRSE NUMB</u>	VARCHAR2(5)
<u>SCBCRKY_TERM_CODE_START</u>	VARCHAR2(6)
<u>SCBCRKY_TERM_CODE_END</u>	VARCHAR2(6)
<u>SCBCRKY_ACTIVITY_DATE</u>	DATE

<u>SCRINTG</u>	
<u>SCRINTG_SUBJ_CODE</u>	VARCHAR2(4)
<u>SCRINTG_CRSE_NUMB</u>	VARCHAR2(5)
<u>SCRINTG_TERM_CODE_EFF</u>	VARCHAR2(6)
<u>SCRINTG_USER_ID</u>	VARCHAR2(30)
<u>SCRINTG_ACTIVITY_DATE</u>	DATE
<u>SCRINTG_INTG_CDE</u>	VARCHAR2(5) null
<u>SCRINTG_DATA_ORIGIN</u>	VARCHAR2(30) null



1,1

Rn

STVOCCS

<u>STVOCCS_CODE</u>	VARCHAR2(2)
STVOCCS_DESC	VARCHAR2(30)
STVOCCS_ACTIVITY_DATE	DATE

STVTOPS

<u>STVTOPS_CODE</u>	VARCHAR2(6)
STVTOPS_DESC	VARCHAR2(30)
STVTOPS_ACTIVITY_DATE	DATE

SCRSYLN

SCRSYLN_SUBJ_CODE	VARCHAR2(4)
SCRSYLN_CRSE_NUMB	VARCHAR2(5)
SCRSYLN_TERM_CODE_EFF	VARCHAR2(6)
SCRSYLN_ACTIVITY_DATE	DATE
SCRSYLN_USER_ID	VARCHAR2(30)
SCRSYLN_TERM_CODE_END	VARCHAR2(6) null
SCRSYLN_LONG_COURSE_TIT...	VARCHAR2(100) null
SCRSYLN_COURSE_URL	VARCHAR2(100) null

SCRTEXT

SCRTEXT_SUBJ_CODE	VARCHAR2(4)
SCRTEXT_CRSE_NUMB	VARCHAR2(5)
SCRTEXT_EFF_TERM	VARCHAR2(6)
SCRTEXT_TEXT_CODE	VARCHAR2(1) null
SCRTEXT_SEQNO	NUMBER(23,20) null
SCRTEXT_TEXT	VARCHAR2(60) null
SCRTEXT_ACTIVITY_DA...	DATE

STVATTR

<u>STVATTR_CODE</u>	VARCHAR2(4)
STVATTR_DESC	VARCHAR2(30)
STVATTR_ACTIVITY_DATE	DATE

0,n

0,n

Rn

1,1

0,n

Rn

0,1



SMRALIB_PRESCR_USAGE_IND	RAI
--------------------------	-----

0,1

SMRPRLE	
<u>SMRPRLE_PROGRAM</u>	VAI
SMRPRLE_PROGRAM_DESC	VAI
SMRPRLE_ACTIVITY_DATE	DA
<u>SMRPRLE_LEVL_CODE</u>	VA
SMRPRLE_CURR_IND	VAI
SMRPRLE_LOCKED_IND	VAI
SMRPRLE_CURR_RULE_IND	VAI
<u>SMRPRLE_CAMP_CODE</u>	VA
<u>SMRPRLE_COLL_CODE</u>	VA
<u>SMRPRLE_DEGC_CODE</u>	VA
SMRPRLE_PIDM	NUM
<u>SMRPRLE_LEVL_CODE_STU</u>	VA
SMRPRLE_WEB_IND	VAI

Rn0,1

0,1

Rn

0,n

STVDEGC	
<u>STVDEGC_CODE</u>	VA
STVDEGC_DESC	VA
STVDEGC_LEVEL_ONE	VA
STVDEGC_LEVEL_TWO	VA
STVDEGC_LEVEL_THREE	VA
STVDEGC_FA_COUNT_IND	VA
STVDEGC_ACTIVITY_DATE	DA
<u>STVDEGC_ACAT_CODE</u>	VA
STVDEGC_SYSTEM_REQ_I...	VA
<u>STVDEGC_DLEV_CODE</u>	VA
STVDEGC_VR_MSG_NO	NUM
STVDEGC_DISP_WEB_IND	VA

0,n

Rn

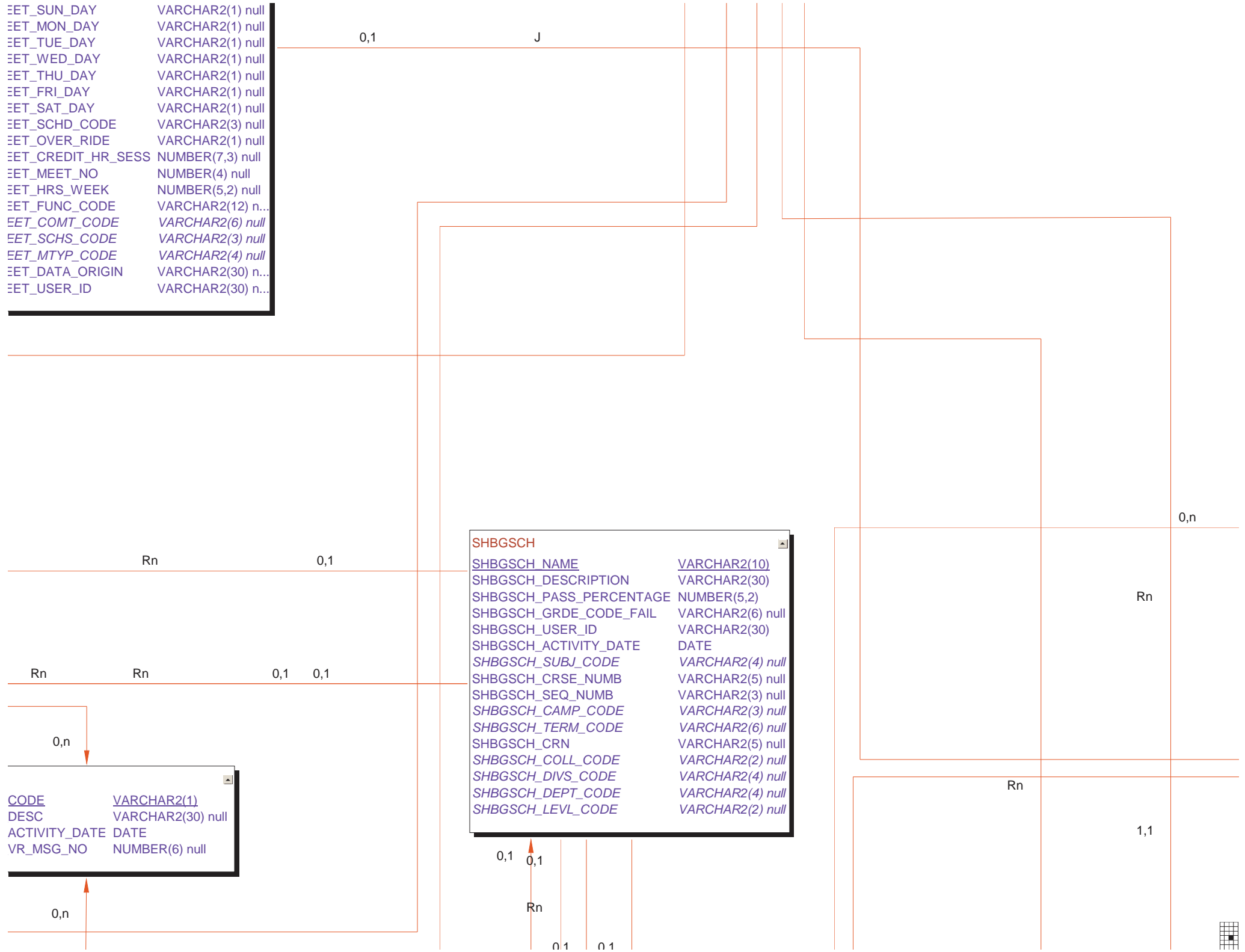
0,1



≡ET_SUN_DAY	VARCHAR2(1) null
≡ET_MON_DAY	VARCHAR2(1) null
≡ET_TUE_DAY	VARCHAR2(1) null
≡ET_WED_DAY	VARCHAR2(1) null
≡ET_THU_DAY	VARCHAR2(1) null
≡ET_FRI_DAY	VARCHAR2(1) null
≡ET_SAT_DAY	VARCHAR2(1) null
≡ET_SCHD_CODE	VARCHAR2(3) null
≡ET_OVER_RIDE	VARCHAR2(1) null
≡ET_CREDIT_HR_SESS	NUMBER(7,3) null
≡ET_MEET_NO	NUMBER(4) null
≡ET_HRS_WEEK	NUMBER(5,2) null
≡ET_FUNC_CODE	VARCHAR2(12) n...
EET_COMT_CODE	VARCHAR2(6) null
EET_SCHS_CODE	VARCHAR2(3) null
EET_MTYC_CODE	VARCHAR2(4) null
≡ET_DATA_ORIGIN	VARCHAR2(30) n...
≡ET_USER_ID	VARCHAR2(30) n...

SHBGSCH	
SHBGSCH_NAME	VARCHAR2(10)
SHBGSCH_DESCRIPTION	VARCHAR2(30)
SHBGSCH_PASS_PERCENTAGE	NUMBER(5,2)
SHBGSCH_GRDE_CODE_FAIL	VARCHAR2(6) null
SHBGSCH_USER_ID	VARCHAR2(30)
SHBGSCH_ACTIVITY_DATE	DATE
SHBGSCH_SUBJ_CODE	VARCHAR2(4) null
SHBGSCH_CRSE_NUMB	VARCHAR2(5) null
SHBGSCH_SEQ_NUMB	VARCHAR2(3) null
SHBGSCH_CAMP_CODE	VARCHAR2(3) null
SHBGSCH_TERM_CODE	VARCHAR2(6) null
SHBGSCH_CRN	VARCHAR2(5) null
SHBGSCH_COLL_CODE	VARCHAR2(2) null
SHBGSCH_DIVS_CODE	VARCHAR2(4) null
SHBGSCH_DEPT_CODE	VARCHAR2(4) null
SHBGSCH_LEVL_CODE	VARCHAR2(2) null

CODE	VARCHAR2(1)
DESC	VARCHAR2(30) null
ACTIVITY_DATE	DATE
VR_MSG_NO	NUMBER(6) null





SCRATTR

<u>SCRATTR_SUBJ_CODE</u>	VARCHAR2(4)
<u>SCRATTR_CRSE_NUMB</u>	VARCHAR2(5)
<u>SCRATTR_EFF_TERM</u>	VARCHAR2(6)
<u>SCRATTR_ATTR_CODE</u>	VARCHAR2(4) null
<u>SCRATTR_ACTIVITY_DA...</u>	DATE

SCREQIV

<u>SCREQIV_SUBJ_CODE</u>	VARCHAR2(4)
<u>SCREQIV_CRSE_NUMB</u>	VARCHAR2(5)
<u>SCREQIV_EFF_TERM</u>	VARCHAR2(6)
<u>SCREQIV_SUBJ_CODE_EQIV</u>	VARCHAR2(4) null
<u>SCREQIV_CRSE_NUMB_EQ...</u>	VARCHAR2(5) null
<u>SCREQIV_START_TERM</u>	VARCHAR2(6) null
<u>SCREQIV_END_TERM</u>	VARCHAR2(6) null
<u>SCREQIV_ACTIVITY_DATE</u>	DATE

STVSCHD

<u>STVSCHD_CODE</u>	VARCHAR2(3)
<u>STVSCHD_DESC</u>	VARCHAR2(30)
<u>STVSCHD_ACTIVITY_DATE</u>	DATE
<u>STVSCHD_INSTRUCT_METHOD</u>	VARCHAR2(2) null
<u>STVSCHD_COOP_IND</u>	VARCHAR2(1)
<u>STVSCHD_AUTO_SCHEDULER_IND</u>	VARCHAR2(1)
<u>STVSCHD_INSM_CODE</u>	VARCHAR2(5) null
<u>STVSCHD_VR_MSG_NO</u>	NUMBER(6) null

SCRSECT

<u>SCRSECT_SUBJ_CODE</u>	VARCHAR2(4)
<u>SCRSECT_CRSE_NUMB</u>	VARCHAR2(5)
<u>SCRSECT_CAMP_CODE</u>	VARCHAR2(3)
<u>SCRSECT_SCHD_CODE</u>	VARCHAR2(3)
<u>SCRSECT_TERM_CODE</u>	VARCHAR2(6)
<u>SCRSECT_SECT_OFFER</u>	NUMBER(3)
<u>SCRSECT_ENRL</u>	NUMBER(6)
<u>SCRSECT_CENSUS_ENRL</u>	NUMBER(6)
<u>SCRSECT_ACTIVITY_DA...</u>	DATE

SCRSCHD

<u>SCRSCHD_SUBJ_CODE</u>	VARCHAR2(4)
<u>SCRSCHD_CRSE_NUMB</u>	VARCHAR2(5)
<u>SCRSCHD_EFF_TERM</u>	VARCHAR2(6)
<u>SCRSCHD_SCHD_CODE</u>	VARCHAR2(3)
<u>SCRSCHD_ACTIVITY_DATE</u>	DATE
<u>SCRSCHD_WORKLOAD</u>	NUMBER(9,3) null
<u>SCRSCHD_MAX_ENRL</u>	NUMBER(3) null
<u>SCRSCHD_ADJ_WORKLO...</u>	NUMBER(9,3) null
<u>SCRSCHD_INSM_CODE</u>	VARCHAR2(5) null



SCRRDEG

SCRRDEG_SUBJ_CODE
SCRRDEG_CRSE_NUMB
SCRRDEG_TERM_CODE_EFFECTIVE
SCRRDEG_REC_TYPE
SCRRDEG_ACTIVITY_DATE
SCRRDEG_DEGC_IND
SCRRDEG_DEGC_CODE

STVCSTA

STVCSTA_CODE VARCH
STVCSTA_DESC VARCH
STVCSTA_ACTIVITY_DATE DATE
STVCSTA_ACTIVE_IND VARCH

STVREPS

STVREPS_CODE VARCH
STVREPS_DESC VARCH
STVREPS_ACTIVITY_DATE DATE



VARCHAR2(4)
 VARCHAR2(5)
 VARCHAR2(6)
 VARCHAR2(1)
 DATE
 VARCHAR2(1) null
 VARCHAR2(6) null

STVMAJR

<u>STVMAJR_CODE</u>	VARCHAR2(4)
STVMAJR_DESC	VARCHAR2(30) null
STVMAJR_CIPC_CODE	VARCHAR2(6) null
STVMAJR_VALID_MAJOR_IND	VARCHAR2(1) null
STVMAJR_VALID_MINOR_IND	VARCHAR2(1) null
STVMAJR_VALID_CONCENTRATN_I...	VARCHAR2(1) null
STVMAJR_ACTIVITY_DATE	DATE
STVMAJR_OCCUPATION_IND	VARCHAR2(1) null
STVMAJR_AID_ELIGIBILITY_IND	VARCHAR2(1) null
STVMAJR_SYSTEM_REQ_IND	VARCHAR2(1) null
STVMAJR_VR_MSG_NO	NUMBER(6) null
STVMAJR_DISP_WEB_IND	RAW(1) null
STVMAJR_SEVIS_EQUIV	VARCHAR2(6) null

STVCIPC

<u>STVCIPC_CODE</u>	VARCHAR2(6)
STVCIPC_DESC	VARCHAR2(30)
STVCIPC_ACTIVITY_DATE	DATE
STVCIPC_CIPC_A_IND	VARCHAR2(1) null
STVCIPC_CIPC_B_IND	VARCHAR2(1) null
STVCIPC_CIPC_C_IND	VARCHAR2(1) null
STVCIPC_SP04_PROGRAM_CDE	VARCHAR2(5) null

SCRRMAJ

SCRRMAJ_SUBJ_CODE	VARCHAR2(4)
SCRRMAJ_CRSE_NUMB	VARCHAR2(5)
SCRRMAJ_EFF_TERM	VARCHAR2(6)
SCRRMAJ_REC_TYPE	VARCHAR2(1)
SCRRMAJ_MAJOR_IND	VARCHAR2(1) null
SCRRMAJ_MAJR_CODE	VARCHAR2(4) null
SCRRMAJ_ACTIVITY_DA...	DATE

SCBCRSE

SCBCRSE_SUBJ_CODE	VARCHAR2(4)
SCBCRSE_CRSE_NUMB	VARCHAR2(5)
SCBCRSE_EFF_TERM	VARCHAR2(6) null
SCBCRSE_COLL_CODE	VARCHAR2(2) null
SCBCRSE_DIVS_CODE	VARCHAR2(4) null
SCBCRSE_DEPT_CODE	VARCHAR2(4) null
SCBCRSE_CSTA_CODE	VARCHAR2(1) null
SCBCRSE_TITLE	VARCHAR2(30)
SCBCRSE_CIPC_CODE	VARCHAR2(6) null
SCBCRSE_CREDIT_HR_IND	VARCHAR2(2) null
SCBCRSE_CREDIT_HR_LOW	NUMBER(7,3) null
SCBCRSE_CREDIT_HR_HIGH	NUMBER(7,3) null
SCBCRSE_LEC_HR_IND	VARCHAR2(2) null
SCBCRSE_LEC_HR_LOW	NUMBER(7,3) null
SCBCRSE_LEC_HR_HIGH	NUMBER(7,3) null
SCBCRSE_LAB_HR_IND	VARCHAR2(2) null
SCBCRSE_LAB_HR_LOW	NUMBER(7,3) null
SCBCRSE_LAB_HR_HIGH	NUMBER(7,3) null
SCBCRSE_OTH_HR_IND	VARCHAR2(2) null
SCBCRSE_OTH_HR_LOW	NUMBER(7,3) null
SCBCRSE_OTH_HR_HIGH	NUMBER(7,3) null
SCBCRSE_BILL_HR_IND	VARCHAR2(2) null
SCBCRSE_BILL_HR_LOW	NUMBER(7,3) null
SCBCRSE_BILL_HR_HIGH	NUMBER(7,3) null
SCBCRSE_APRV_CODE	VARCHAR2(1) null
SCBCRSE_REPEAT_LIMIT	NUMBER(2) null
SCBCRSE_PWAV_CODE	VARCHAR2(1) null

STVDIVS

<u>STVDIVS_CODE</u>	VARCHAR2(4)
STVDIVS_DESC	VARCHAR2(30)
STVDIVS_ACTIVITY_DATE	DATE

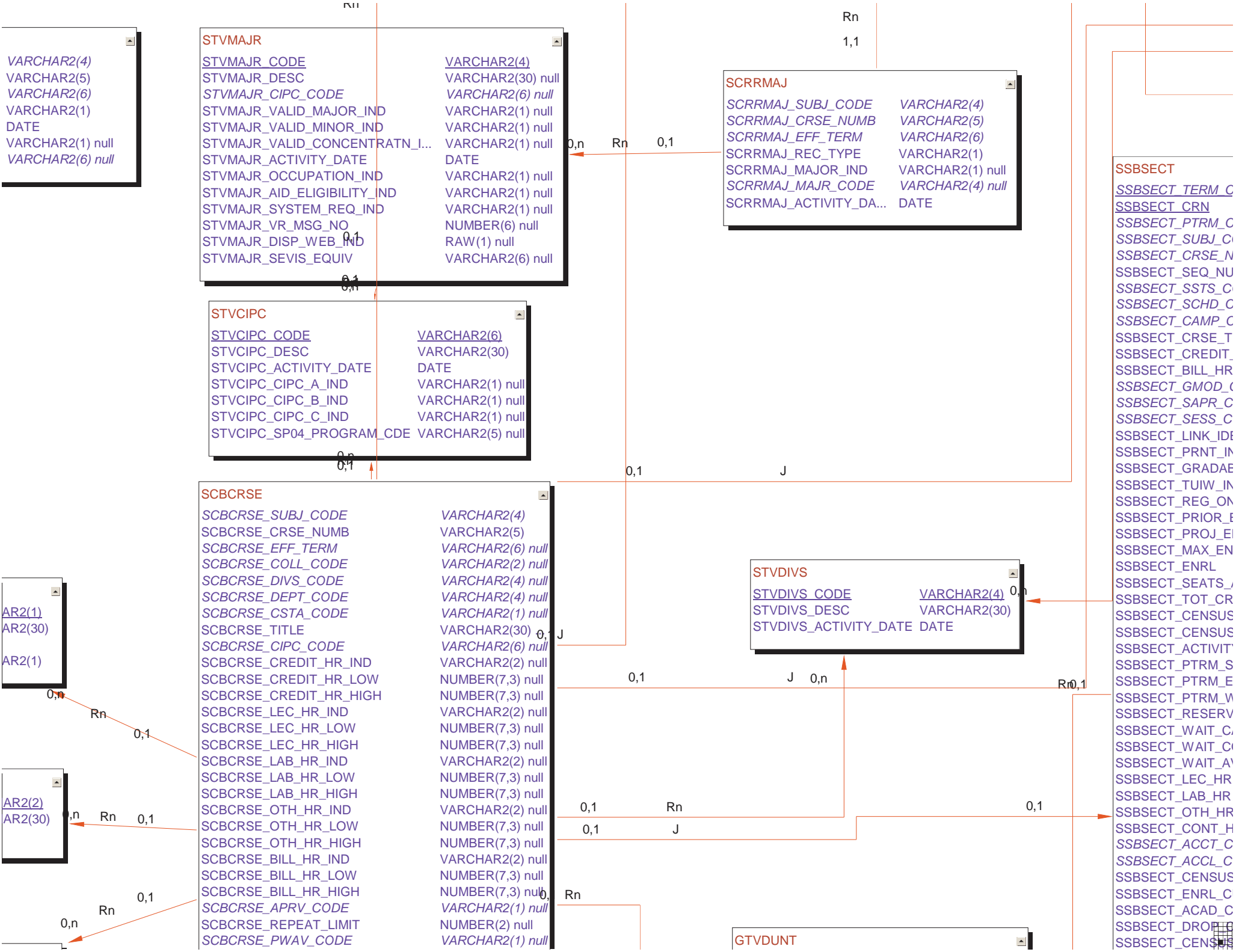
SSBSECT

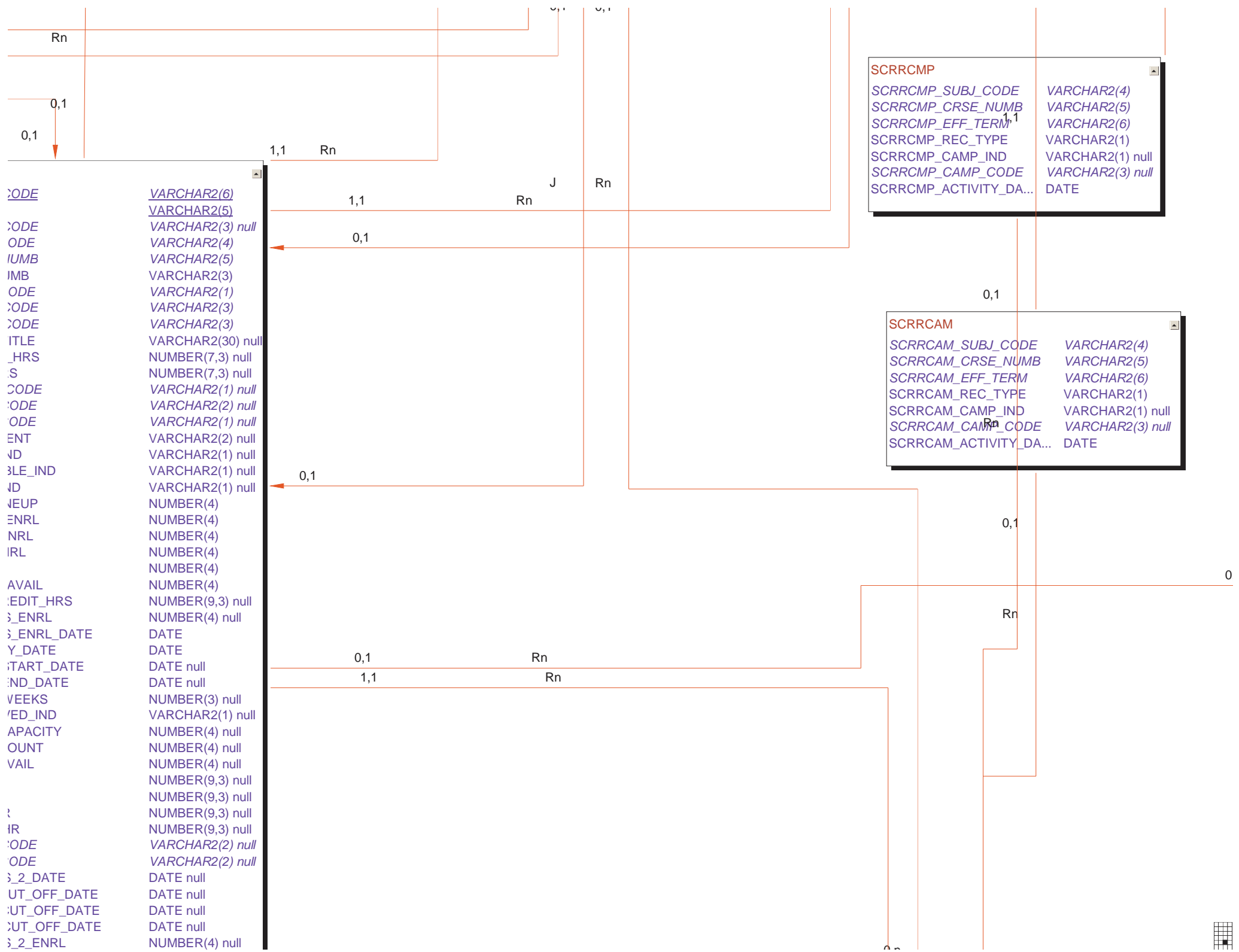
<u>SSBSECT_TERM_C</u>
<u>SSBSECT_CRN</u>
SSBSECT_PTRM_C
SSBSECT_SUBJ_C
SSBSECT_CRSE_N
SSBSECT_SEQ_NUM
SSBSECT_SSTS_C
SSBSECT_SCHD_C
SSBSECT_CAMP_C
SSBSECT_CRSE_T
SSBSECT_CREDIT
SSBSECT_BILL_HR
SSBSECT_GMOD_C
SSBSECT_SAPR_C
SSBSECT_SESS_C
SSBSECT_LINK_ID
SSBSECT_PRNT_IN
SSBSECT_GRADAE
SSBSECT_TUIW_IN
SSBSECT_REG_ON
SSBSECT_PRIOR_I
SSBSECT_PROJ_EI
SSBSECT_MAX_EN
SSBSECT_ENRL
SSBSECT_SEATS_J
SSBSECT_TOT_CR
SSBSECT_CENSUS
SSBSECT_CENSUS
SSBSECT_ACTIVIT
SSBSECT_PTRM_S
SSBSECT_PTRM_E
SSBSECT_PTRM_V
SSBSECT_RESERV
SSBSECT_WAIT_C
SSBSECT_WAIT_C
SSBSECT_WAIT_A
SSBSECT_LEC_HR
SSBSECT_LAB_HR
SSBSECT_OTH_HR
SSBSECT_CONT_H
SSBSECT_ACCT_C
SSBSECT_ACCL_C
SSBSECT_CENSUS
SSBSECT_ENRL_C
SSBSECT_ACAD_C
SSBSECT_DROP_C
SSBSECT_CENSUS

AR2(1)
 AR2(30)
 AR2(1)

AR2(2)
 AR2(30)

GTVDUNT





SCRRCMP

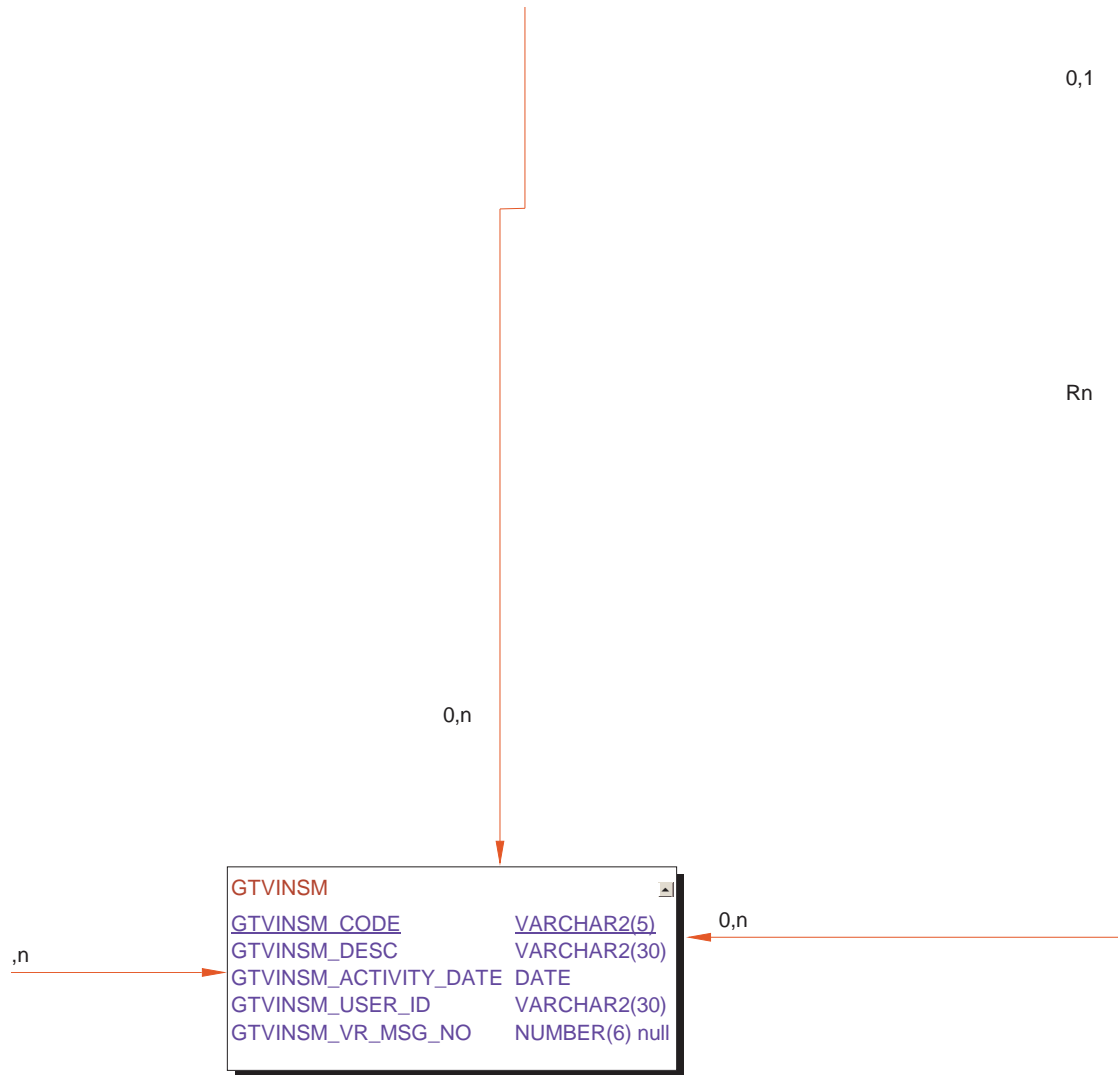
SCRRCMP_SUBJ_CODE	VARCHAR2(4)
SCRRCMP_CRSE_NUMB	VARCHAR2(5)
SCRRCMP_EFF_TERM	↑ VARCHAR2(6)
SCRRCMP_REC_TYPE	↑ VARCHAR2(1)
SCRRCMP_CAMP_IND	↑ VARCHAR2(1) null
SCRRCMP_CAMP_CODE	↑ VARCHAR2(3) null
SCRRCMP_ACTIVITY_DA...	↑ DATE

SCRRCAM

SCRRCAM_SUBJ_CODE	↑ VARCHAR2(4)
SCRRCAM_CRSE_NUMB	↑ VARCHAR2(5)
SCRRCAM_EFF_TERM	↑ VARCHAR2(6)
SCRRCAM_REC_TYPE	↑ VARCHAR2(1)
SCRRCAM_CAMP_IND	↑ VARCHAR2(1) null
SCRRCAM_CAMP_CODE	↑ VARCHAR2(3) null
SCRRCAM_ACTIVITY_DA...	↑ DATE

CODE	↑ VARCHAR2(6)
ODE	↑ VARCHAR2(5)
IUMB	↑ VARCHAR2(3) null
ODE	↑ VARCHAR2(4)
IUMB	↑ VARCHAR2(5)
ODE	↑ VARCHAR2(3)
ODE	↑ VARCHAR2(1)
ODE	↑ VARCHAR2(3)
ODE	↑ VARCHAR2(3)
ITITLE	↑ VARCHAR2(30) null
HRS	↑ NUMBER(7,3) null
S	↑ NUMBER(7,3) null
CODE	↑ VARCHAR2(1) null
ODE	↑ VARCHAR2(2) null
ODE	↑ VARCHAR2(1) null
ENT	↑ VARCHAR2(2) null
ID	↑ VARCHAR2(1) null
BLE_IND	↑ VARCHAR2(1) null
ID	↑ VARCHAR2(1) null
JEUP	↑ NUMBER(4)
ENRL	↑ NUMBER(4)
NRL	↑ NUMBER(4)
IRL	↑ NUMBER(4)
AVAIL	↑ NUMBER(4)
EDIT_HRS	↑ NUMBER(9,3) null
ENRL	↑ NUMBER(4) null
ENRL_DATE	↑ DATE
Y_DATE	↑ DATE
TART_DATE	↑ DATE null
ND_DATE	↑ DATE null
VEEKS	↑ NUMBER(3) null
ED_IND	↑ VARCHAR2(1) null
APACITY	↑ NUMBER(4) null
OUNT	↑ NUMBER(4) null
VAIL	↑ NUMBER(4) null
	↑ NUMBER(9,3) null
	↑ NUMBER(9,3) null
	↑ NUMBER(9,3) null
IR	↑ NUMBER(9,3) null
ODE	↑ VARCHAR2(2) null
ODE	↑ VARCHAR2(2) null
ENRL_DATE	↑ DATE null
UT_OFF_DATE	↑ DATE null
UT_OFF_DATE	↑ DATE null
UT_OFF_DATE	↑ DATE null
ENRL	↑ NUMBER(4) null





0,1

Rn



STVAPRV

STVAPRV_CODE VARCH
STVAPRV_DESC VARCH
STVAPRV_ACTIVITY_DATE DATE

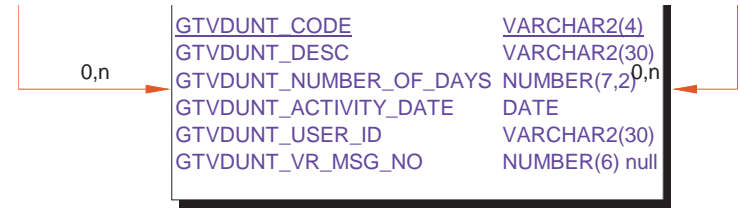
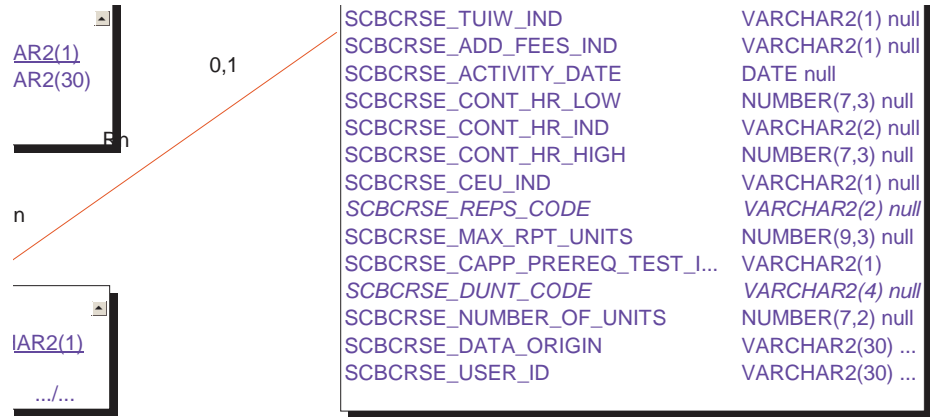
0,



STVPWAV

STVPWAV_CODE VARCH

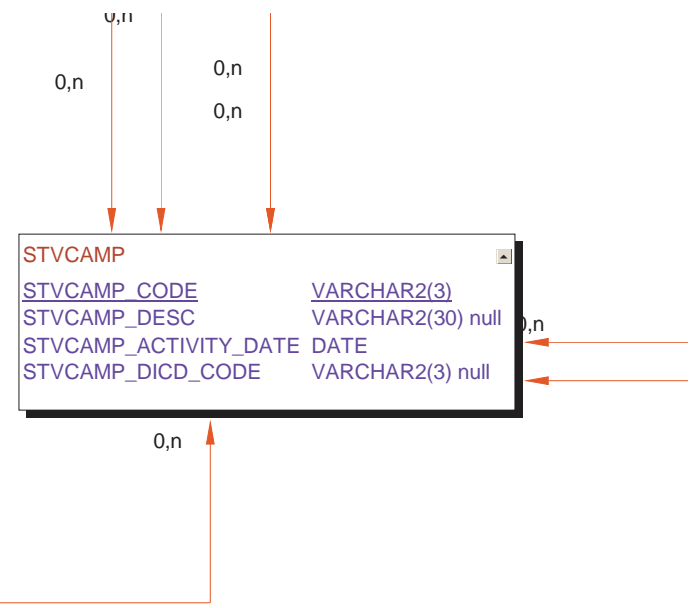




SSBSECT_VOICE_/
SSBSECT_CAPP_P
SSBSECT_GSCH_N
SSBSECT_BEST_O
SSBSECT_SUBSET
SSBSECT_INSM_C
SSBSECT_REG_FR
SSBSECT_REG_TO
SSBSECT_LEARNE
SSBSECT_LEARNE
SSBSECT_DUNT_C
SSBSECT_NUMBEF
SSBSECT_NUMBEF
SSBSECT_DATA_O
SSBSECT_USER_ID
SSBSECT_INTG_CI



AVAIL	VARCHAR2(1)
REREQ_TEST_IND	VARCHAR2(1)
NAME	VARCHAR2(10) null
F_COMP	NUMBER(3) null
_OF_COMP	NUMBER(3) null
ODE	VARCHAR2(5) null
OM_DATE	DATE null
_DATE	DATE null
R_REGSTART_FDA...	DATE null
R_REGSTART_TDA...	DATE null
ODE	VARCHAR2(4) null
_OF_UNITS	NUMBER(7,2) null
_OF_EXTENSIONS	NUMBER(3)
IRIGIN	VARCHAR2(30) null
ORIGIN	VARCHAR2(30) null
DE	VARCHAR2(5) null



0,n



GTVPARS	
<u>GTVPARS_CODE</u>	<u>VARCHAR2(7)</u>
GTVPARS_DESC	VARCHAR2(30)
GTVPARS_SCHEDULER_NUMBER	NUMBER(2)
GTVPARS_USER_ID	VARCHAR2(30)
GTVPARS_ACTIVITY_DATE	DATE
GTVPARS_CAMP_CODE	VARCHAR2(3) null

SCRSPT	
SCRSPT_SUBJ_CODE	VARCHAR2(4)
SCRSPT_TERM_CODE_EFF	VARCHAR2(6)
SCRSPT_ACTIVITY_DATE	DATE
SCRSPT_USER_ID	VARCHAR2(30)
SCRSPT_PARS_CODE	VARCHAR2(7) null
SCRSPT_PARS_PREF_NUMBER	NUMBER(2) null

Rr0,1



0,1



0,n

